

SMI

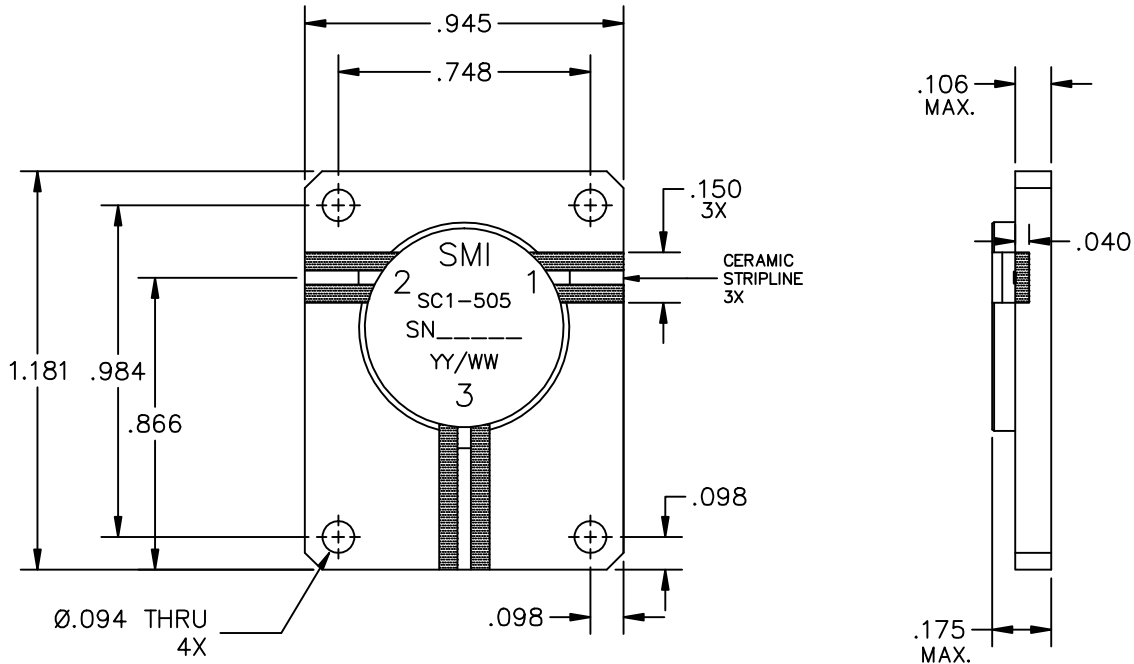
SOUTHERN MICROWAVE INC.

6965 VISTA PARKWAY N. UNIT 16  
 WEST PALM BEACH, FL 33411  
 PH: 561-687-3909 FAX: 561-687-3905

OUTLINE DRAWING AND TECHNICAL BULLETIN

MODEL NO. S300DCCCW-04

DATE: 4/05/18



NOTE:

- 1. CERAMIC STRIPLINE PROVIDED BY CUSTOMER

FREQUENCY RANGE  
 INSERTION LOSS  
 PHASE TRACKING

2850 MHz – 3150 MHz  
 0.5 dB MAX.  
 ±5° @ +25°C  
 ±15° @ -40°C – +85°C  
 -20 dB MIN.

ISOLATION  
 ALL PORTS VSWR  
 OPERATING TEMP.  
 STORAGE TEMP.  
 IMPEDANCE  
 POWER RATING

1.20:1 MAX.  
 -50°C TO +70°C  
 -55°C TO +100°C  
 50 OHMS NOMINAL  
 25W AVG. / 250W PK.

S300DCCCW-04

SYM	DESCRIPTION	DATE	APPR.	INFORMATION DISCLOSED IN THIS DOCUMENT IS INTENDED FOR SOLE USE AND DISTRIBUTION BY SOUTHERN MICROWAVE INC. FOR PURPOSES OF DOCUMENTATION, DESIGN, AND PURCHASING. SOUTHERN MICROWAVE INC. RESERVES ALL DESIGN AND PROPRIETARY RIGHTS TO THIS DOCUMENT AND IT MAY NOT BE USED FOR PURPOSES OTHER THAN THOSE APPROVED BY SOUTHERN MICROWAVE INC.
0	ORIGINAL RELEASE	10/17	J.A.O.	
A	SMI LABEL	4/18	J.A.O.	

DRAWN BY:	D.A.R.	DATE:	4/05/18
CHECKED BY:	G.O.	DATE:	4/05/18
APPROVED BY:	J.A.O.	DATE:	4/05/18
SHEET 1 OF 1	SCALE:	3:1	SIZE: A